

Part NO. SS-GPI160640P16W61S3	Type GPS External Active Antenna
--------------------------------------	----------------------------------

Electrical Characteristics

Antenna

1	Antenna model	16*6*4mm		
2	Frequency Range	1575.42MHz ± 1.023MHz		
3	V.S.W.R	1.5 max		
4	Band With@RL=-10dB	>5MHz		
5	Gain@Zenith	-2.5dBi@16*6mm Ground		
6	Impedance	50 Ω		
7	Polarization	Linear		

LNA

1	Frequency Range	1555MHz~1605MHz		
2	DC Voltage	1.5V(min)	3.0V(typ)	3.6V(max)
3	DC current	2.6mA	4.2mA	5.0mA
4	Noise Figure	1.1<		
5	LNA Gain	18dB@25°C,1575.42MHz		
6	VSWR	2.0 max		

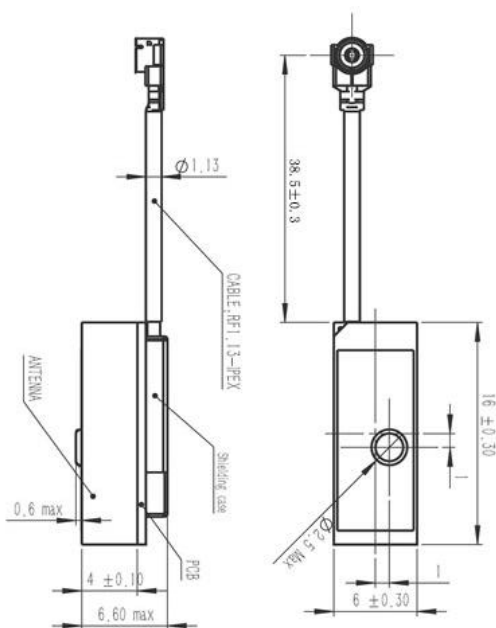
Material

No	Part Name	Spec
1	Antenna	Dielectric Ceramics
2	Ground	0.6mm, FR-4
3	Cable	L=43m, RF-1.13
4	Connector	I-PEX II

Environment Condition

1	Working Temp	-40°C ~ +85°C, 10%~95% RH
2	Storage Temp	-45°C ~ +90°C, 10%~95% RH

Dimensions



LNA Gain @3.0V

