

Part NO. SS-GNI4560HP873B3	Type GNSS Built-in Active Antenna
-----------------------------------	--

Electrical Characteristics

Antenna

1	Antenna model	45*45*6mm			
2	Frequency Range	GPS-L1	BDS-B1	GLONASS-L1	Galileo-E1
3	V.S.W.R	1.5 max			
4	Band With@RL=-10dB	>60MHz			
5	Gain@Zenith	5.0dBi	5.0dBi	5.0dBi	5.0dBi
6	Impedance	50 Ω			
7	Polarization	RHCP			
8	Axial Ratio@Zenith	<3dB	<3dB	<3dB	<3dB

LNA

1	Frequency Range	1555MHz~1615MHz		
2	DC Voltage	1.5V(min)	3.0V(typ)	3.6V(max)
3	DC Current	7.5mA	8.5mA	9.5mA
4	Noise Figure	1.1<		
5	LNA Gain@25°C	37dB,1561.098MHz; 38dB,1575.42MHz; 38dB,1602MHz		
6	VSWR	2.0 max		

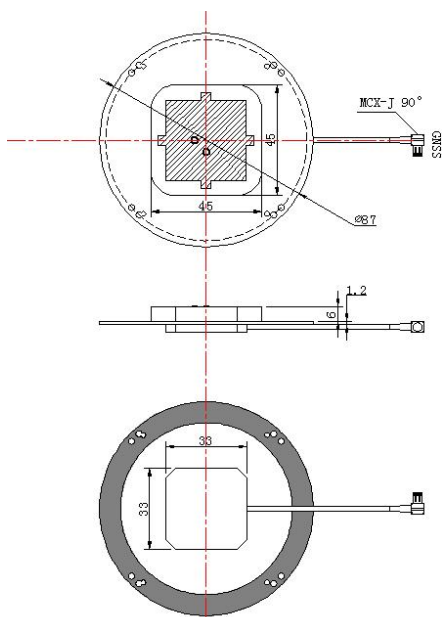
Material

No	Part Name	Spec
1	Radome Material	ABS
2	Antenna	Dielectric Ceramics
3	Ground	0.8mm, FR-4
4	Cable	L=95mm, RG-178
5	Connector	MCX-J (Male)

Environment Condition

1	Working Temp	-40°C ~ +85°C, 10%~95% RH
2	Storage Temp	-45°C ~ +90°C, 10%~95% RH

Dimensions



LNA Gain @3.0V

