

Part NO. SS-GLI1820P182S3	Type GPS&GLONASS External Active Antenna
----------------------------------	--

Electrical Characteristics

Antenna

1	Antenna model	18*18*2mm	
2	Frequency Range	1575.42MHz±1.023MHz	1598.06MHz~1605.38MHz
3	V.S.W.R	2.0 max	2.0 max
4	Band With@RL=-10dB	>6MHz	>6MHz
5	Gain@Zenith	-0.5dBi@18*18mm Ground	-0.5dBi@18*18mm Ground
6	Impedance	50 Ω	
7	Polarization	RHCP	
8	Axial Ratio@Zenith	<10dB	<10dB

LNA

1	Frequency Range	1556MHz~1608MHz		
2	DC Voltage	1.5V(min)	3.0V(typ)	3.6V(max)
3	DC current	2.6mA	4.2mA	5.0mA
4	Noise Figure	1.1<		
5	LNA Gain	21dB@25°C,1575.42MHz; 21dB@25°C,1561.098MHz		
6	VSWR	2.0 max		

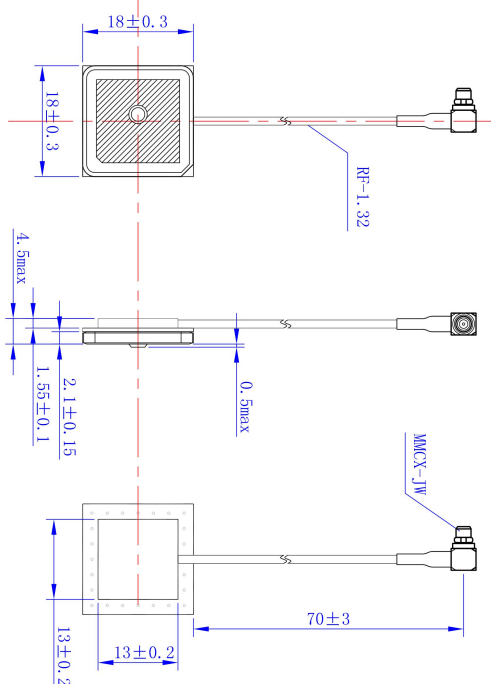
Material

No	Part Name	Spec
1	Antenna	Dielectric Ceramics
2	Ground	0.6mm, FR-4
3	Cable	L=75mm RF-1.32
4	Connector	MMCX-J (Male)

Environment Condition

1	Working Temp	-40°C~+85°C, 10%~95% RH
2	Storage Temp	-45°C~+90°C, 10%~95% RH

Dimensions



LNA Gain @3.0V

