

Part NO. SS-RUE4050HP545N	Type RFID Antenna
----------------------------------	-------------------

Electrical Characteristics

Antenna

1	Antenna model	40*40*5mm
2	Frequency Range	920MHz~925MHz
3	V.S.W.R	2.0 max
4	Band With@RL=-10dB	≥20MHz
5	Gain@Zenith	3.0dBi@50*50mm Ground
6	Impedance	50 Ω
7	Polarization	RHCP
8	Axial Ratio@Zenith	<3dB

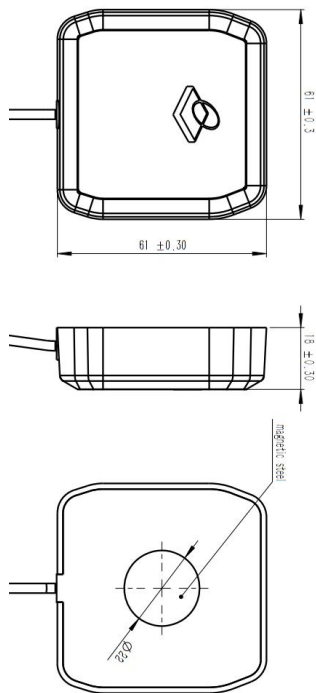
Material

No	Part Name	Spec
1	Radome Material	ABS
2	Antenna	Dielectric Ceramics
3	Ground	0.8mm, FR-4
4	Cable	L=3m, RG-174
5	Connector	SMA-J (Male)

Environment Condition

1	Working Temp	-40°C ~ +85°C, 10%~95% RH
2	Storage Temp	-45°C ~ +90°C, 10%~95% RH
3	Ingress Protection	IP67

Dimensions



Return Loss & Impedance

